

THE CADDY

TECH PACK

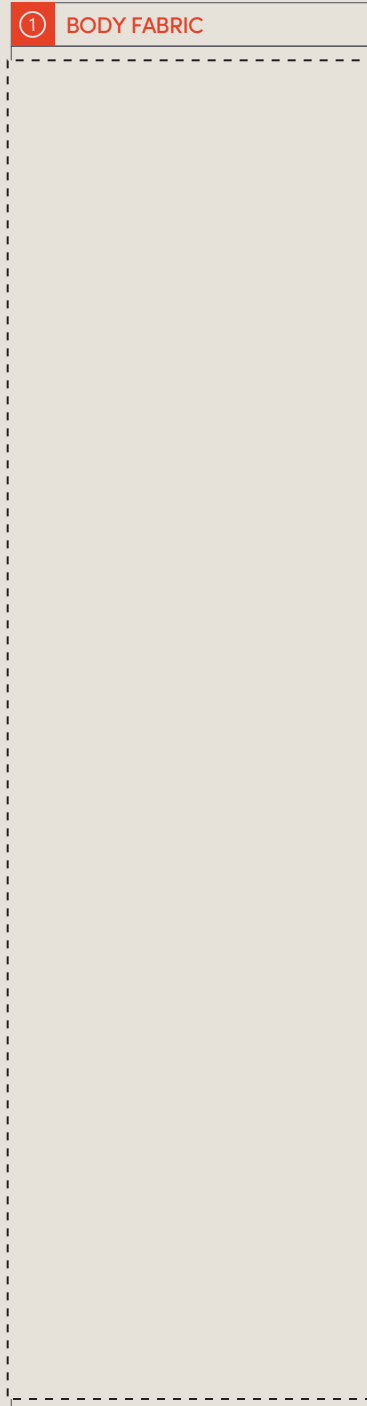


THE CADDY

CMF.1



BLACK/PEWTER



Product image shown for reference only and not 100% color accurate

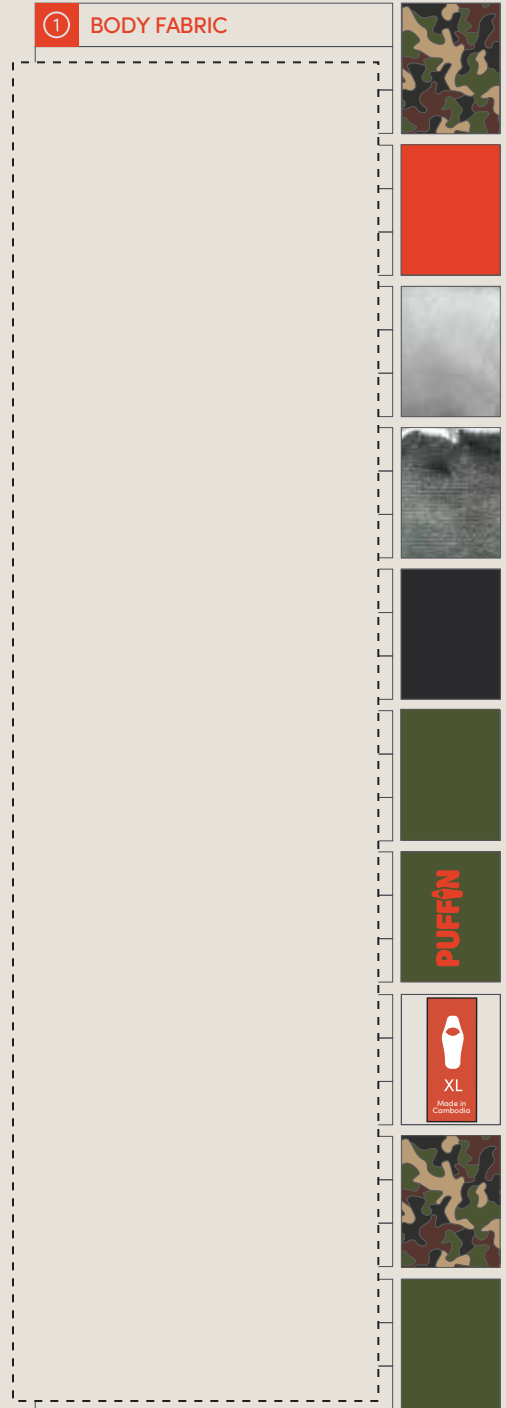


THE CADDY

CMF.2



WOODSY CAMO/PUFFIN RED



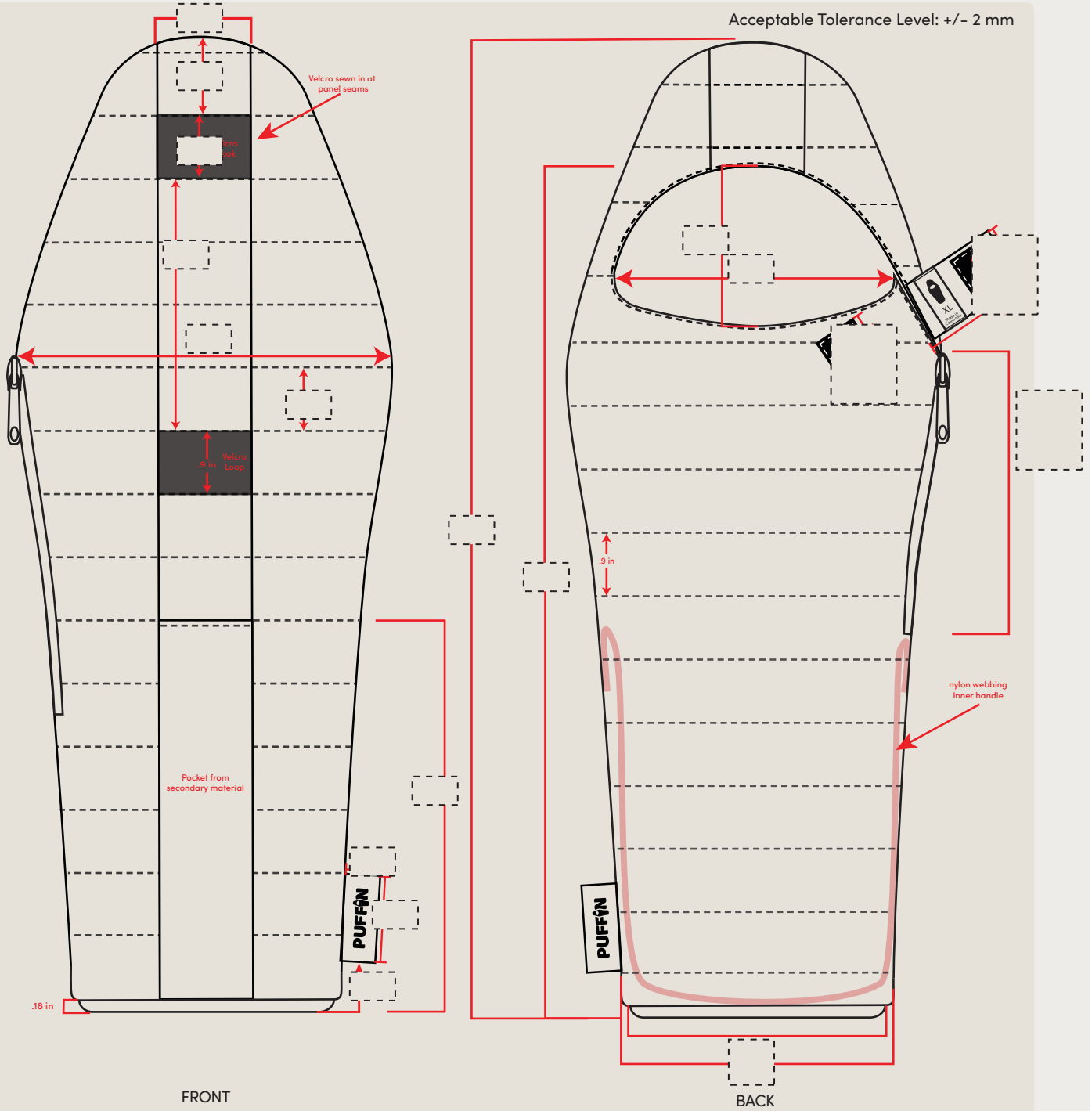
Product image shown for reference only and not 100% color accurate



THE CADDY

BODY DIMS

Acceptable Tolerance Level: +/- 2 mm



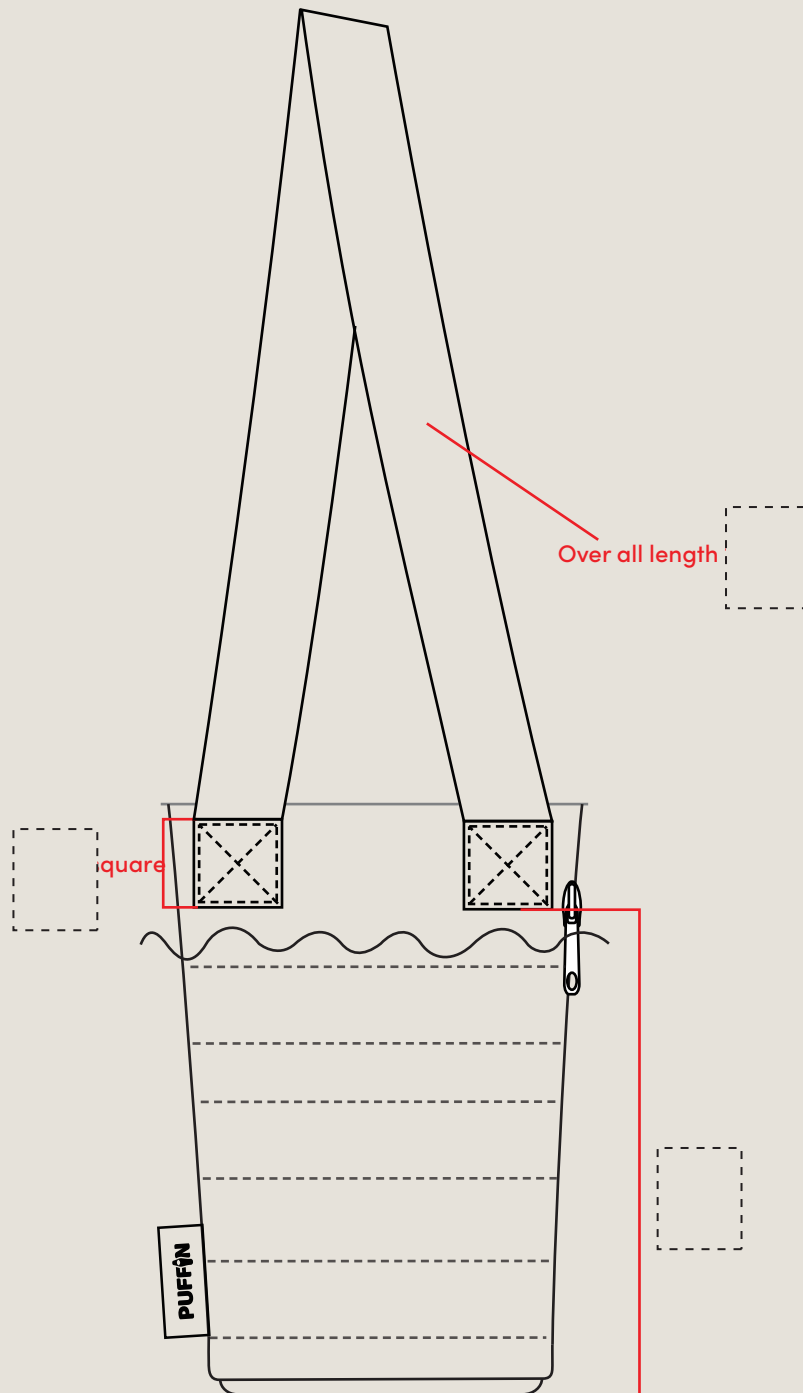
NOT TO SCALE



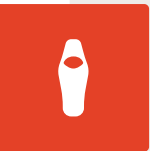
THE CADDY

BODY DIMS

Acceptable Tolerance Level: +/- 2 mm

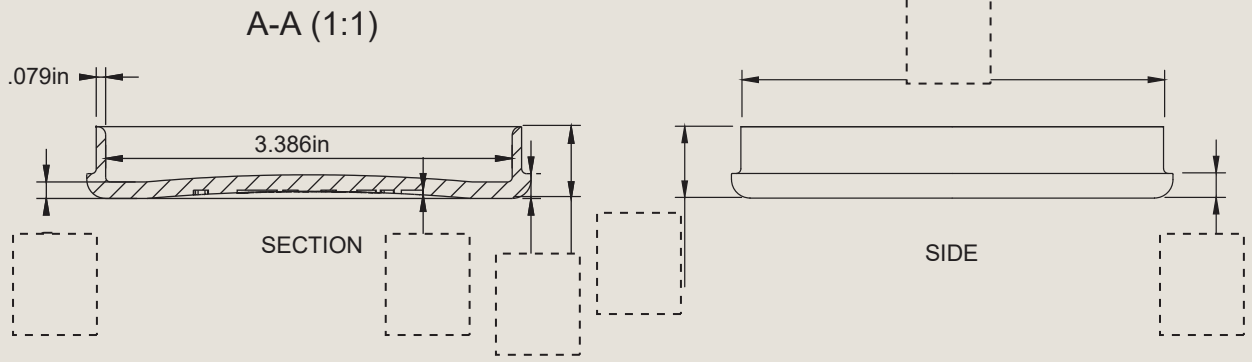
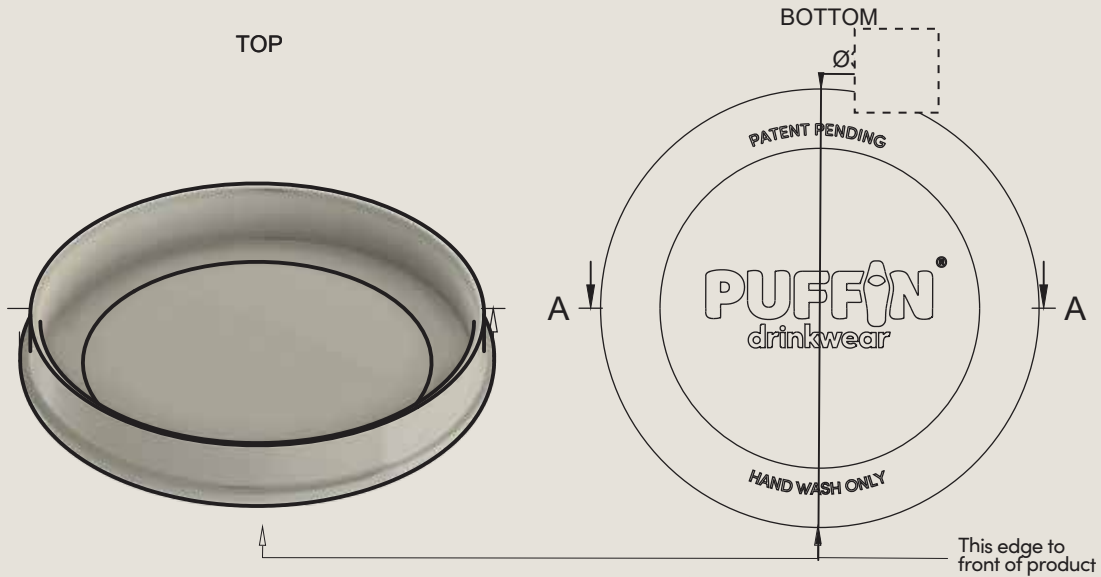


NOT TO SCALE

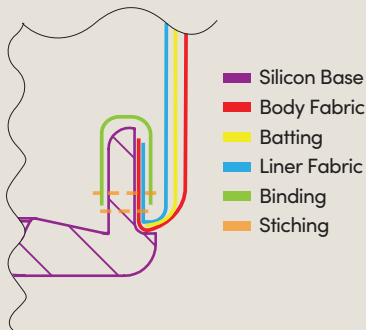


THE CADDY

BASE DIMS



SECTION 1 - BODY TO BASE ASSEMBLY

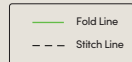


CAD FILE AVAILABLE UPON REQUEST

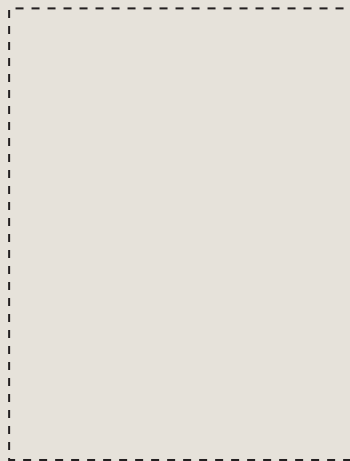


THE CADDY

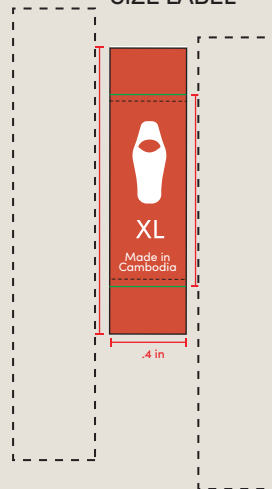
ART



WOVEN LABELS



SIZE LABEL



100% TO SCALE

